

Product Data Sheet: YSEB Range 1000L - 30,000L

Description:

The YSEB range offers a simple solution to the problems generally encountered with providing watertight bunds around tanks.

Both the inner and outer tanks are constructed from mild steel plate to BS EN 10025.

The inner tank providing the required storage area, the outer tank forms the required bund, with capacity of 110% of the total liquid being stored. The tank vent is piped into the bund then to atmosphere further reducing the risk of spills in the event of overfilling the tank. Tanks are fitted with steel base supports to eliminate ground contact with the tank base. The tanks can also be fitted with steel legs to raise of the floor for gravity feed applications.

Specification:

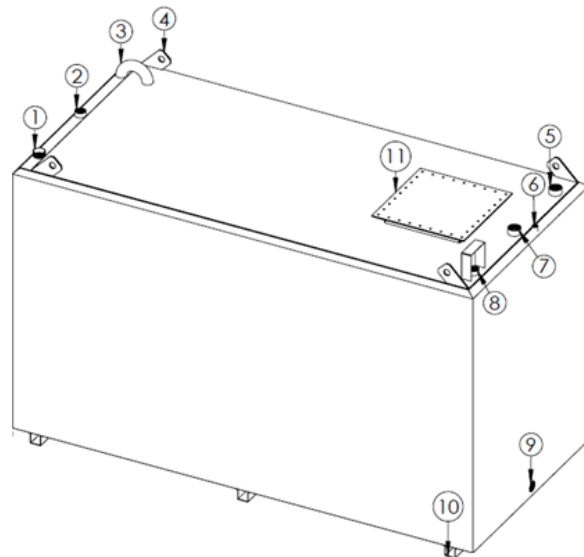
- | | |
|--|---|
| 1 x 2" tank to bund vent. | 1 x 2" atmospheric vent with cap. |
| 1 x Bund contents test and drain point with dial gauge. | 1 x 1" Base feed with isolation valve. |
| 1 x Tank contents with hydrostatic gauge. | 1 x 2" fill point fitted with overfill valve, fill cap and chain. |
| 4 x lift points (lift empty only). | 1 x 1" socket in bund for optional bund alarm probe. |
| 1 x 2" socket in top of tank for optional high / low alarm | |

Compliance:

- BS799 Part 5, PPG2, DSEAR 2002
- Build Type: J
- Inspection and testing: Tested in accordance to BS799.

Material: Steel to BS EN 10025-2:2004 S275JR
 Internal tank bracing: In accordance with BS799.
 Paint finish: ISO 12944 C3 Compliant.

Number	Purpose
1	Bund-Atmosphere Vent
2	Bund Contents
3	Tank-Bund vent
4	Lifting points
5	2" BSP fill point
6	1" spare socket in bund
7	2" BSP spare socket
8	Tank contents
9	1" base outlet
10	Base plinths
11	Service Hatch



W x L x H (mm)	Weight	Max Capacity	Bund Capacity
2500 x 3500 x 2300	1920 kg	15616 Litres	17500 Litres

Unit 2, Hurricane Close, Sherburn in Elmet, Leeds, LS25 6PB, United Kingdom
 +44 1977 688155 • sales@yorpowers.com

www.yorpowers.com