

YD23SPC Acoustically Enclosed Generator



GENERAL

OUTPUT RATINGS

50Hz, 240VOLT, 1 PHASE

YD23SPC **23kVA, 23kW** **1500 RPM**

ENGINE DEUTZ D2009L04

ALTERNATOR NEWAGE STAMFORD

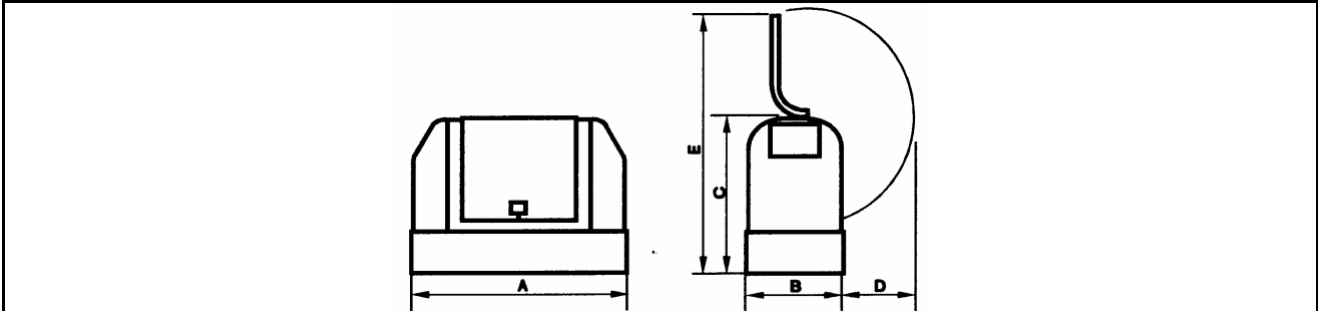


TECHNICAL DATA

| | | | |
|--------------------|--------------|---|----------------|
| Engine Model | D2009L04 | | 1500RPM |
| Cylinders | 4 | <u>Fuel Cons: 100% Load (l/hr)</u> | 6.55 |
| Cubic Capacity | 2.3 Litres | | |
| Aspiration | Natural | <u>Cooling Air Flow : m³/min</u> | N/A |
| Cooling | Water Cooled | <u>Exhaust Gas Flow : m³/min</u> | N/A |
| Fuel Tank Capacity | 100 Litres | <u>Exhaust Gas Temp : °C</u> | 550 |
| | | <u>Noise Level : dba @ 1m</u> | 77 |

These ratings are suitable for continuous output at varying load. No overload available on these ratings. Ratings at 0.8pf for 3 Phase, 1.0pf for 1 phase

GENERAL ARRANGEMENT



DIMENSIONS AND WEIGHTS

| Length Mm | Width Mm | Height Mm | | | Weight inc Lube Oil Kg | Weight inc Lube Oil & Coolant |
|--------------|-------------|--------------|--|--|---------------------------|----------------------------------|
| 2385 | 1100 | 1593 | | | 893 | 918 |