

## YD15C Acoustically Enclosed Generator



### GENERAL

#### OUTPUT RATINGS

50Hz, 240VOLT, 3 PHASE

YD15C **15kVA, 12kW 1500 RPM**

ENGINE DEUTZ D2009L03

ALTERNATOR NEWAGE STAMFORD

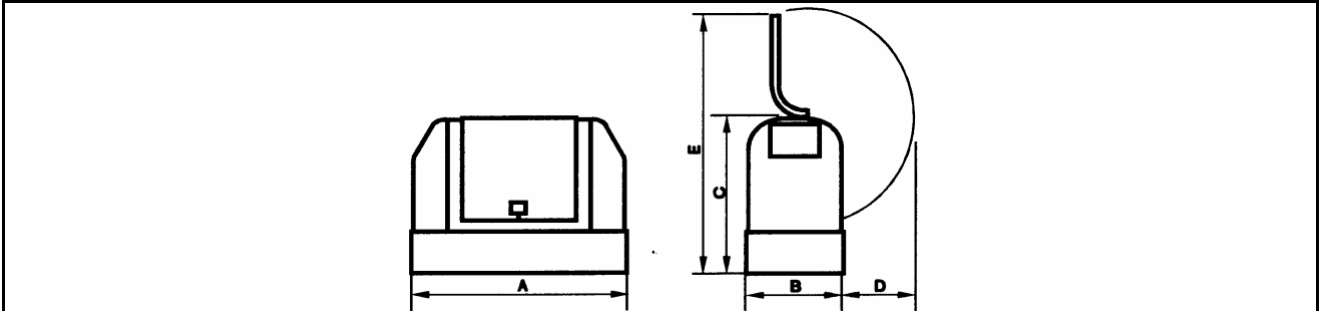


### TECHNICAL DATA

Engine Model	D2009L03		<b>1500RPM</b>
Cylinders	3	<u>Fuel Cons: 100% Load (l/hr)</u>	4.03
Cubic Capacity	1.72 Litres	<u>Fuel Cons: 75% Load (l/hr)</u>	4.15
Aspiration	Natural	<u>Cooling Air Flow : m<sup>3</sup>/min</u>	N/A
Cooling	Water Cooled	<u>Exhaust Gas Flow : m<sup>3</sup>/min</u>	N/A
Fuel Tank Capacity	100 Litres	<u>Exhaust Gas Temp : °C</u>	482
		<u>Noise Level : dba @ 1m</u>	77

These ratings are suitable for continuous output at varying load. No overload available on these ratings. Ratings at 0.8pf for 3 Phase, 1.0pf for 1 phase

### GENERAL ARRANGEMENT



### DIMENSIONS AND WEIGHTS

Length Mm	Width Mm	Height Mm	Door Clearance (D)	Door Clearance (E)	Weight inc Lube Oil Kg	Weight inc Lube Oil & Coolant
1600	720	1200	550	1970	550	575